

# PS-J11

## SERVICE MANUAL

US Model



### SPECIFICATIONS

<b>Motor and Platter</b>	
Drive system	Belt-drive
Motor	DC servo motor
Platter	18.5cm, molded aluminum alloy
Speeds	33 $\frac{1}{3}$ and 45 r/min, 2 speed
Wow and flutter	Less than 0.25% (WRMS)
Signal to noise ratio	More than 45 dB (DIN-B) with supplied cartridge

<b>Tone Arm</b>	
Type	Static balanced integrate straight arm
Effective arm length	204 mm

<b>General</b>	
Power requirements	120V AC, 60 Hz
Power consumption	5 W
Dimensions	Approx. 280 x 87 x 314 mm (w/h/d) (11 x 3 $\frac{7}{16}$ x 12 $\frac{3}{8}$ inches)
Mass	2kg (4 lb 6 oz)

<b>Supplied Accessories</b>	
45 r/min adaptor (1)	
Rubber mat (1)	

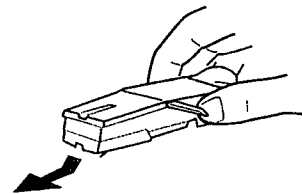
### Replacing the Stylus

The life expectancy of the stylus tip is about 400 hours. To preserve maximum sound quality and avoid damage to your records, we recommend replacing the stylus within this time limit.

Additional replacement styli (CN-234) are available from your Sony dealer.

#### To replace the stylus

- 1 Turn off the amplifier.
- 2 While holding the cartridge, detach the stylus assembly as illustrated.
- 3 Insert the new stylus into the cartridge.



Design and specifications are subject to change without notice.

## STEREO TURNTABLE SYSTEM

# SONY®

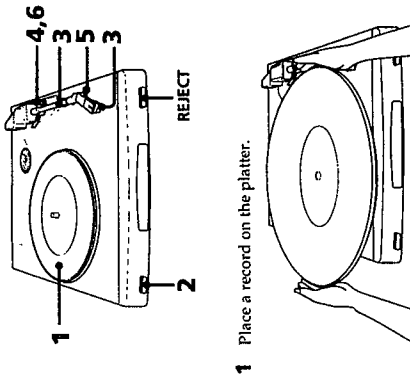


# SECTION 1 GENERAL

This section is extracted from instruction manual.

## Operations

### Playing a Record



- To stop playing**  
Press **REJECT**.
- To pause playback**  
Set the cueing lever backward to raise stylus off the record during playback.
- To listen to a different part of the record**
- 1 Set the cueing lever backward to raise stylus during playback.
  - 2 Move the tone arm to the position you desire.
  - 3 Set the cueing lever forward.
- To play a 17-cm record**  
Place the supplied 45 r/min adaptor on the spindle. When you have finished using the adaptor, put it back in the adaptor tray.

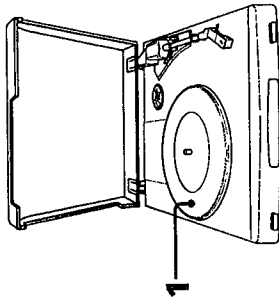
#### Note

Place only one record on the platter at a time. If two or more records are stacked on the platter, the stylus will not make proper contact with the grooves and the quality of reproduction will be impaired.

- 2 Press **SPEED** to select the speed.
- 3 Remove the protective cover from the cartridge, and release the stopper from the tone arm.
- 4 Set the cueing lever backward.
- 5 Move the tone arm to the desired position over the record.
- 6 Set the cueing lever forward.  
The tone arm descends slowly to the record and playback begins.
- 7 Adjust the volume on your amplifier.

## Getting Started

### Assembling the Turntable



- 1 Place the rubber mat on the platter.  
To make sure it operates properly, rotate the platter clockwise once or twice with your hand.

#### Notes on installation

- Place the turntable on a level surface.
- Avoid placing the unit near electrical appliances (such as a television, hair dryer, or fluorescent lamp) which may cause hum or noise.
- Place the turntable where it will not be subject to any vibration, such as from speakers, slamming of doors, etc.
- Keep the unit away from direct sunlight, extremes of temperature, and excessive dust and moisture.

### SAFETY-RELATED COMPONENT WARNING !!

COMPONENTS IDENTIFIED BY MARK  $\Delta$  OR DOTTED LINE WITH MARK  $\Delta$  ON THE SCHEMATIC DIAGRAMS AND IN THE PARTS LIST ARE CRITICAL TO SAFE OPERATION. REPLACE THESE COMPONENTS WITH SONY PARTS WHOSE PART NUMBERS APPEAR AS SHOWN IN THIS MANUAL OR IN SUPPLEMENTS PUBLISHED BY SONY.

## SECTION 2 EXPLODED VIEWS

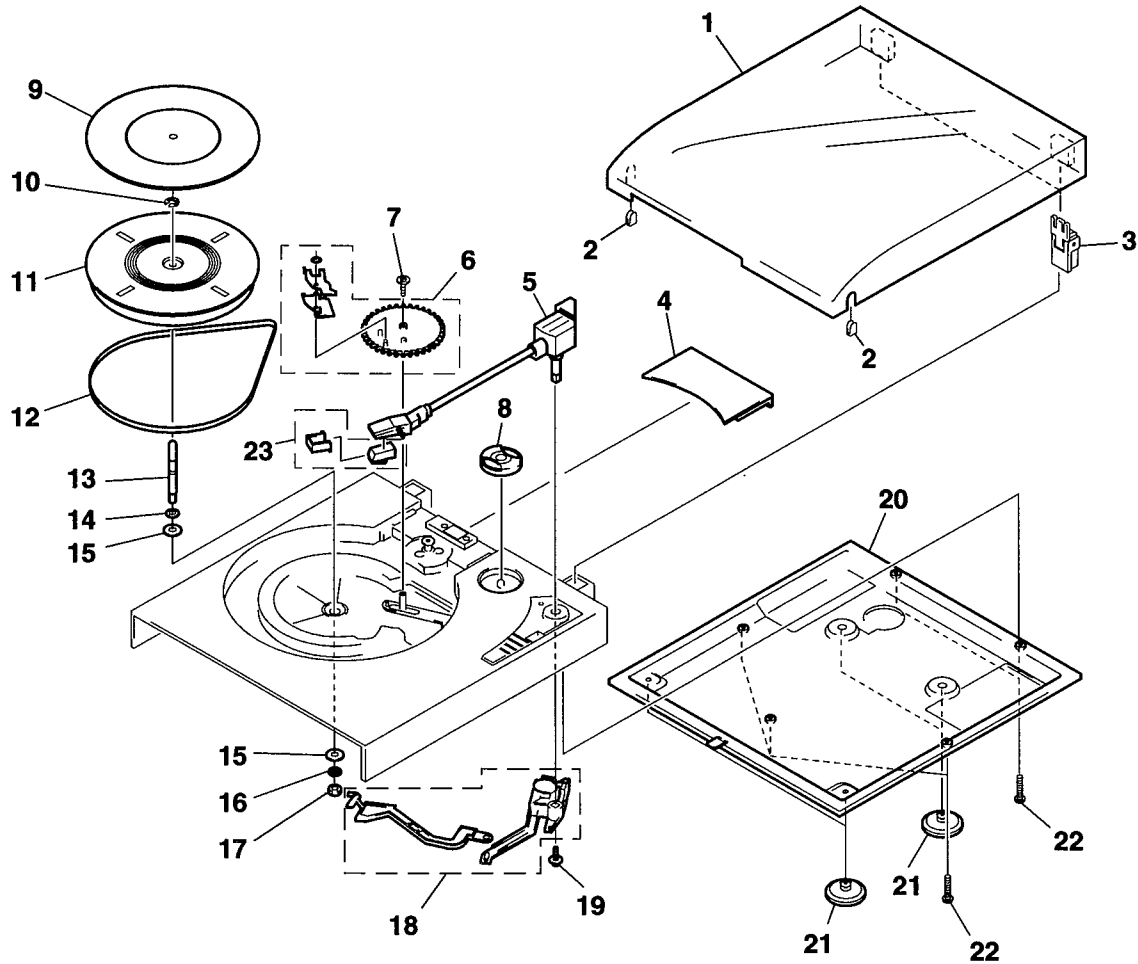
**NOTE:**

- Items marked "\*" are not stocked since they are seldom required for routine service. Some delay should be anticipated when ordering these items.
- The mechanical parts with no reference number in the exploded views are not supplied.

- Hardware (# mark) list and accessories and packing materials are given in the last of this parts list.

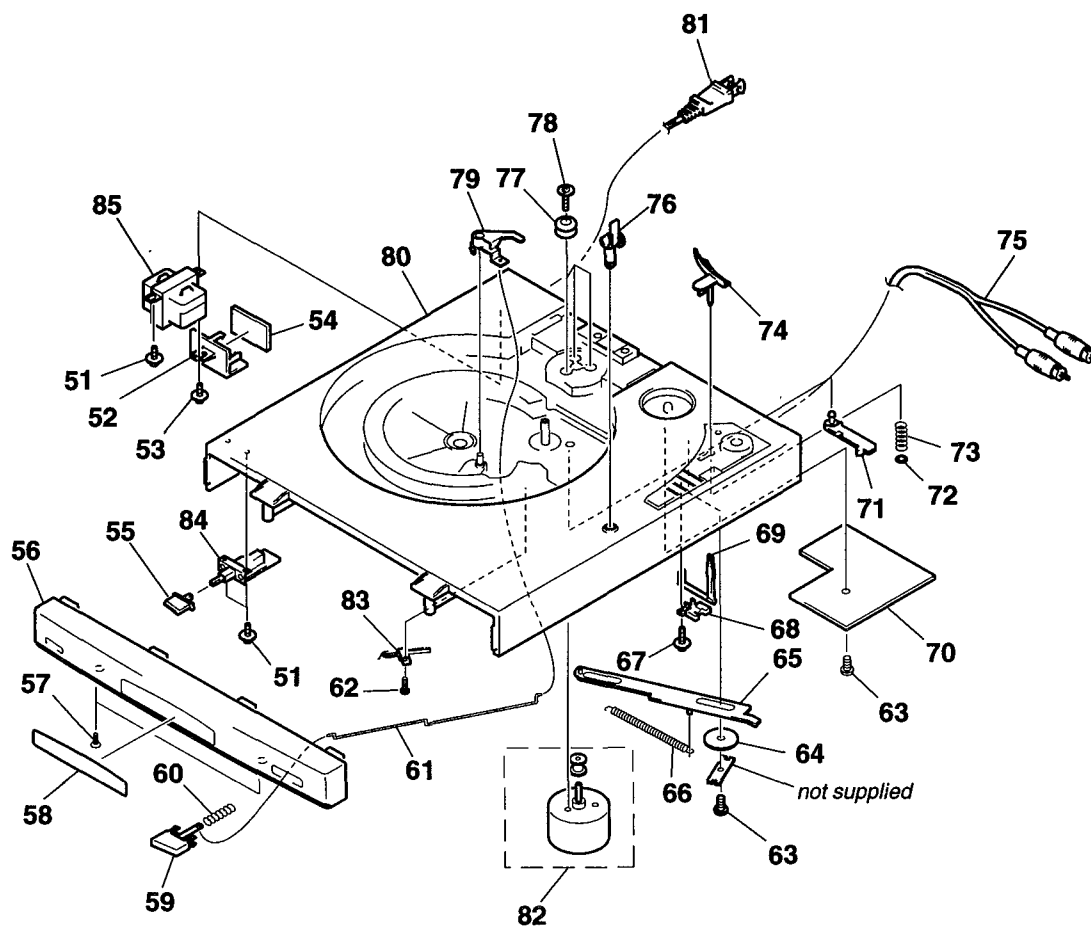
The components identified by mark  $\Delta$  or dotted line with mark  $\Delta$  are critical for safety. Replace only with part number specified.

### 2-1. STEREO TURNTABLE SYSTEM-1



Ref. No.	Part No.	Description	Remark	Ref. No.	Part No.	Description	Remark
1	4-213-962-01	DUST COVER		13	4-213-986-01	SPRING SHAFT	
2	4-213-963-01	DUST COVER STOPPER		14	4-213-988-01	WASHER	
3	4-213-959-01	HINGE ASSY		15	4-213-989-01	WASHER	
4	4-213-966-01	PLASTIC MOTOR COVER (S)		16	4-213-992-01	SPRING WASHER	
5	4-213-960-01	TONE ARM ASSY		17	4-213-993-01	NUT	
6	4-213-958-01	SPUR GEAR ASSY		18	4-213-957-01	RETURN LINK ASSY	
7	4-214-009-01	SCREW		19	4-214-004-01	SCREW	
8	4-214-018-01	ADAPTOR		*	20	4-213-977-01	BOTTOM BOARD
9	4-214-019-01	RUBBER MAT		21	4-213-979-01	RUBER BASE	
10	4-214-003-01	E RING		22	4-213-978-01	SCREW	
11	4-213-995-01	TURNTABLE PLATTER		23	4-951-290-01	STYLUS (CN-234)	
12	4-213-985-01	BELT					

2-2. STEREO TURNTABLE SYSTEM-2



The components identified by mark  $\Delta$  or dotted line with mark  $\Delta$  are critical for safety. Replace only with part number specified.

Ref. No.	Part No.	Description	Remark	Ref. No.	Part No.	Description	Remark
51	4-213-994-01	SCREW		71	4-213-965-01	PLASTIC RETURN BASE	
52	4-213-983-01	PROTECTOR COVER		72	4-214-005-01	4MM CSB RING	
53	4-213-964-01	SCREW		73	4-214-006-01	SPRING	
54	A-4405-641-A	PRIMARY BOARD, COMPLETE		74	4-213-967-01	TONE ARM ELEVATOR	
55	4-213-996-01	KNOB SPEED		75	1-555-116-11	CORD, PHONE	
56	4-213-997-01	FRONT PANEL (S)		76	4-213-956-01	ARM REST ASSY	
57	4-213-999-01	SCREW		77	4-213-981-01	CUSHION MOTOR	
58	4-213-998-01	PC PLATE (F.PANEL)		78	4-213-980-01	SCREW	
59	4-214-001-01	KNOB REJECT		79	4-213-987-01	WIPPER REJECT	
60	4-214-000-01	SPRING		* 80	4-213-990-01	MAIN CABINET (S)	
61	4-213-991-01	SPRING		$\Delta$ 81	1-575-975-11	CORD, POWER	
62	4-213-974-01	SCREW		82	A-4405-636-A	MOTOR BOARD, COMPLETE	
63	4-213-971-01	SCREW		83	1-570-666-11	SWITCH (LEAF)	
64	4-213-975-01	WASHER		84	1-771-542-11	SWITCH, PUSH (1 KEY)	
65	4-213-961-01	LEVER RETURN ASSY		$\Delta$ 85	1-433-497-11	TRANSFORMER, POWER	
66	4-213-972-01	SPRING				ACCESSORIES & PACKING MATERIALS	
67	4-214-004-01	SCREW				*****	
68	4-213-970-01	CUEING BASE		3-864-744-11	MANUAL, INSTRUCTION (ENGLISH)		
69	4-213-969-01	LEVER CUEING		4-214-018-01	ADAPTOR		
70	A-4405-638-A	PRE AMP BOARD, COMPLETE		4-214-019-01	RUBBER MAT		